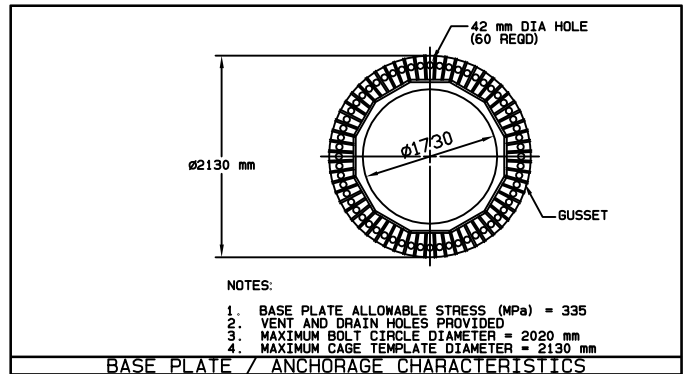


ITEM ID	NO. REQD	FEATURES	MASS (kg)
1	1	SECTION A	31847
2	1	SECTION B	
3	1	SECTION C	
4	1	SECTION D	
5	1	SECTION E	
6	1	SECTION F	
7	1	BASE PLATE	
8	1	BOTTOM CAGE PLATE	
9	60	36mm 40CR MATERIAL ANCHOR BOLT, LENGTH = 2.0m	
10	2	J3.57M-4N	
11	6	J4.29M-7N	
12	3	SADDLE	
	2	VANG	
	6	VANG	
	16	BOLT M24x85x55 1N1W1SW	
	120	BOLT M24x100x50 1N1W1SW	
	1	TOP CAGE PLATE (TH=10mm, G235B)	
	1	POLE CAP	
	60	GUSSETS	
		GALVANIZING	



NOTE:

These plans and elevations are indicative only and are based on assumptions and preliminary reviews as at 10 July 2014. In particular, dimensions are approximate only and the precise location, height and width of the poles has not yet been determined. Final plans and elevations are subject to the approval and requirements of the owners of the powerlines (SP AusNet) and to a detailed engineering study

		Valmont Industries (China) Ltd. 维蒙特工业(中国)有限公司		
		100 RONGCHANG ROAD SHANGHAI, 201611, P.R. CHINA		
QUOTATION #	FILE ID	PROJECT	ENGR	DRAWN
E14190A	45M 270KNU		SXP	HSL
REVISION	DESCRIPTION	DATE	DESCRIPTION	
A	VERSION 1	8/7/2014	45M,270KNU BPM, 220kV MIRVAC WAVERLEY PARK DEVELOPMENT	

TEL: (021) 57609200
 FAX: (021) 57609222