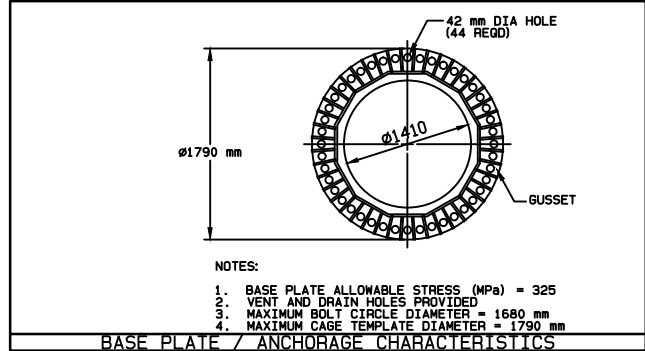


ITEM ID	NO. REQD	FEATURES	MASS (kg)
1	1	SECTION A	17824
2	1	SECTION B	
3	1	SECTION C	
4	1	SECTION D	
5	1	SECTION E	
6	1	SECTION F	
7	1	BASE PLATE	
8	1	BOTTOM CAGE PLATE	
9	44	36mm 40CR MATERIAL ANCHOR BOLT, LENGTH = 2.0m	
	1	TOP CAGE PLATE	
	1	POLE CAP	
	44	GUSSETS	
		GALVANIZING	



NOTE:

These plans and elevations are indicative only and are based on assumptions and preliminary reviews as at 10 July 2014. In particular, dimensions are approximate only and the precise location, height and width of the poles has not yet been determined. Final plans and elevations are subject to the approval and requirements of the owners of the powerlines (SP AusNet) and to a detailed engineering study

		Valmont Industries (China) Ltd. 维蒙特工业(中国)有限公司		
		100 RONGCHANG ROAD SHANGHAI, 201611, P.R. CHINA		
QUOTATION #	FILE ID	PROJECT	ENGR	DRAWN
E14190A	48M 160KNU		SXP	HSL
A	VERSION 1	8/7/2014	DESCRIPTION	
REVISION	DESCRIPTION	DATE	48M,160KNU BPM, 220kV MIRVAC WAVERLEY PARK DEVELOPMENT	