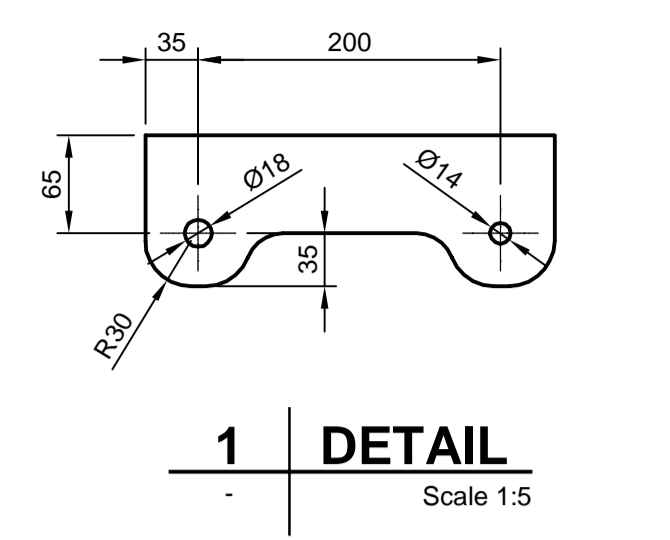
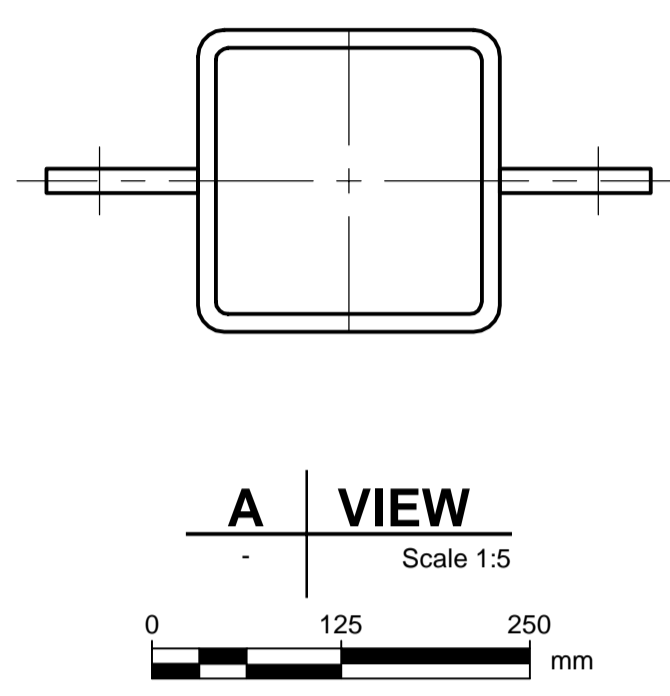


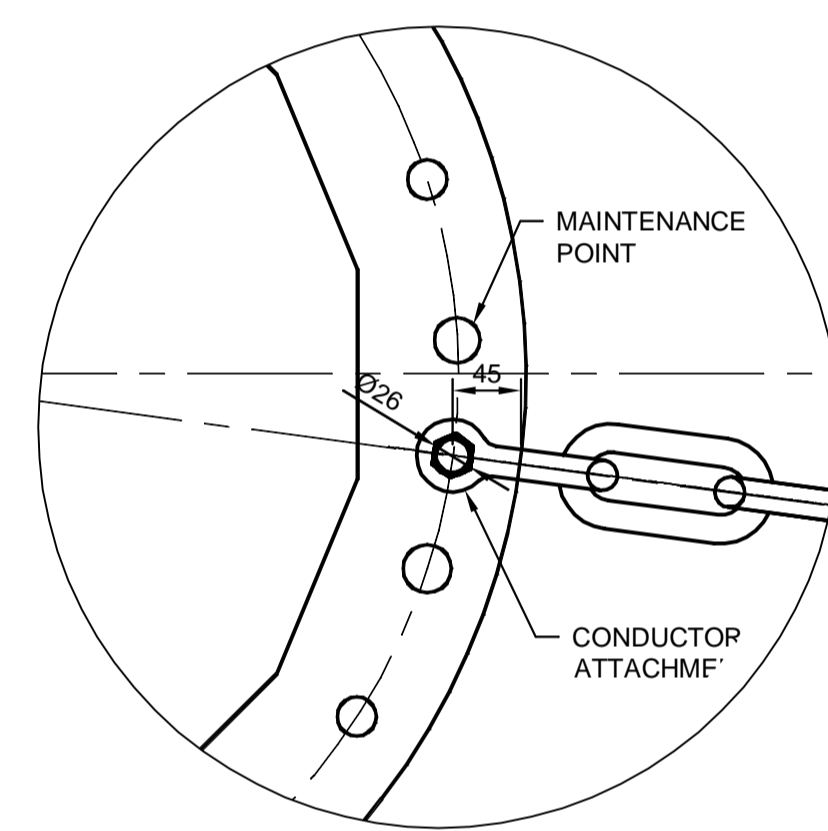
ELEVATION VIEW
Scale 1:50



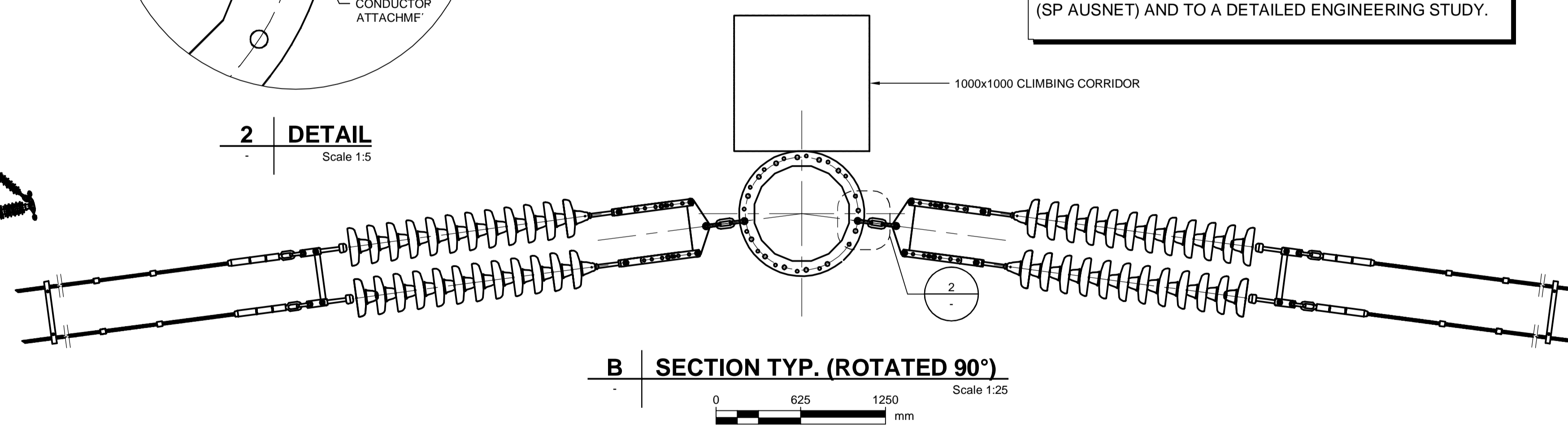
1 | DETAIL
Scale 1:5



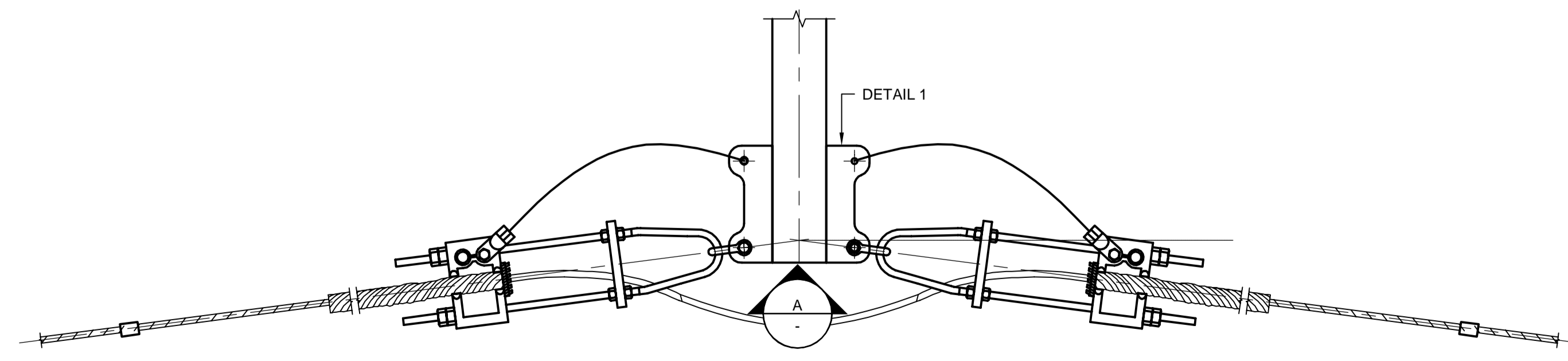
A | VIEW
Scale 1:5



2 | DETAIL
Scale 1:5



B | SECTION TYP. (ROTATED 90°)
Scale 1:25



A | SECTION (ROTATED 90°)
Scale 1:10

NOTES:

- DIMENSIONS IN MILLIMETRES AND SUBJECT TO DETAILED DESIGN.
- PHASE CONDUCTOR LINE HARDWARE FITTINGS AND EARTHWIRE LINE HARDWARE FITTINGS TO AS1154.
- FALL RESTRAINT ATTACHMENT POINTS TO BE PROVIDED STARTING 5 METRES ABOVE GROUND LEVEL. FALL RESTRAINT TO BE LOCATED BETWEEN CLIMBING STEP BOLTS.
- PERSONNEL ACCESS TO BE PROVIDED USING EITHER - a) STEP BOLTS @ APPROX. 350mm VERTICAL CENTRES or b) PERSONNEL ACCESS LADDER OVER THE LENGTH OF THE STRUCTURE STARTING 5 METRES ABOVE GROUND LEVEL.
- POLE DIAMETER AT GROUND LEVEL AND TOP TO BE SUBMITTED BY MANUFACTURER FOR APPROVAL.
- HOLD DOWN BOLTS TO BE HOT DIP GALVANIZED TO AS/NZS 4680.
- POLE AND ALL COMPONENTS TO BE HOT DIP GALVANIZED TO AS/NZS 4680 (DULL FINISH).
- PLAN VIEW AND DETAILS ARE DRAWN ON THE ASSUMPTION THAT THE POLE HAS 12 SIDES. SUBJECT TO DETAILED DESIGN.
- THE ATTACHMENT DETAILS ARE FOR GUIDANCE TO THE DETAIL DESIGNER WHO MAY DECIDE FOR MANUFACTURING AND STRENGTH REASONS TO PROPOSE ALTERNATIVES.
- ALL POLE SECTION CONNECTIONS TO BE SLIP JOINTS.
- POLE TO BE DESIGNED FOR MINIMUM SERVICE TEMPERATURE OF -5 DEGREES C.
- FOR POLES WHICH ARE SUPPLIED IN MULTIPLE SECTIONS AND UTILISE SLIP JOINTS, JACKING FORCES AND MINIMUM/MAXIMUM OVERLAP SHALL BE SPECIFIED. JACKING CLEATS SHALL BE PROVIDED ON EACH SECTION.
- DESIGN OF STEEL POLES AND CROSS ARMS TO BE CARRIED OUT IN ACCORDANCE WITH ANY OF THE FOLLOWING REFERENCE STANDARDS: AS/NZS 4065, AS4100, AS/NZS 4600, AS/NZS 4676 AND ASCE 48-05, USING APPROPRIATE STRENGTH REDUCTION FACTORS FOR EACH PARTICULAR STANDARD DOCUMENT.
- ALL STRAIN INSULATOR ATTACHMENT POINTS TO BE RATED TO BREAKING STRENGTH OF STRAIN INSULATOR ASSEMBLY.
- ALL OPGW STRAIN ATTACHMENT POINTS TO BE RATED TO BREAKING STRENGTH OF STRAIN OPGW ASSEMBLY.
- FOR POLE DETAIL REFER TO VALMONT CONCEPT DRAWING E14190A 48m 160kNU.

POLE No.	DIM 'X'	DIM 'Y'
12A	48000	26600

NOTES:

THESE PLANS AND ELEVATIONS ARE INDICATIVE ONLY AND ARE BASED ON ASSUMPTIONS AND PRELIMINARY REVIEWS AS AT 10TH JULY 2014. IN PARTICULAR, DIMENSIONS ARE APPROXIMATE ONLY AND THE PRECISE LOCATION, HEIGHT AND WIDTH OF THE POLES HAS NOT YET BEEN DETERMINED. FINAL PLANS AND ELEVATIONS ARE SUBJECT TO THE APPROVAL AND REQUIREMENTS OF THE OWNERS OF THE POWERLINES (SP AUSNET) AND TO A DETAILED ENGINEERING STUDY.

SAFETY IN DESIGN INFORMATION
ARE THERE ANY ADDITIONAL HAZARDS / RISKS NOT NORMALLY ASSOCIATED WITH THE TYPES OF WORK DETAILED ON THIS DRAWING?
 NO
 YES

REGISTRATION

CHECK PRINT	BACKDRAFT REQUIRED	READY TO ISSUE
	INITIAL	DATE
SELF CHECK		
DRAFTING		
DESIGN ENGINEER		
LEAD DESIGN		
VERIFIER		
BACKDRAFTED/CORRECTED		
CONFIRMED		

FOR INFORMATION ONLY
PROJECT MANAGEMENT INITIALS

BM	SB	SB
DESIGNER	CHECKED	APPROVED

ISSUE/REVISION

I/R	DATE	DESCRIPTION
A	11.07.14	FOR INFORMATION ONLY

KEY PLAN